



## LED Downlight Performer

### Features

- Flicker Free
- Easy Installation
- Energy Saving

### Benefits

- Light without flicker reduces stress while working/living underneath
- Light housing and driver on board design ensure 1 step plug-and-play
- Up to 60% energy savings from CFL downlight

### Application



Home



Office



Hospital



Store

### Specification

Item Code	Item Description	Power (W)	Power Factor	Lumen (lm)	Efficacy (lm/W)	Input Current (mA)	Lifetime (L70B50)	MOQ (pcs)
140065510	LEDDownlightRc-P R150-11W-3000-MW GP	11	0.9	1150	105	55	60000	600
140065511	LEDDownlightRc-P R150-11W-4000-MW GP	11	0.9	1200	109	55	60000	600
140065512	LEDDownlightRc-P R150-11W-5700-MW GP	11	0.9	1200	109	55	60000	600
140065513	LEDDownlightRc-P R200-15W-3000-MW GP	15	0.9	1600	107	70	60000	600
140065514	LEDDownlightRc-P R200-15W-4000-MW GP	15	0.9	1660	111	70	60000	600
140065515	LEDDownlightRc-P R200-15W-5700-MW GP	15	0.9	1660	111	70	60000	600
140065516	LEDDownlightRc-P R200-22W-3000-MW GP	22	0.9	2350	107	120	60000	600
140065517	LEDDownlightRc-P R200-22W-4000-MW GP	22	0.9	2400	109	120	60000	600
140065518	LEDDownlightRc-P R200-22W-5700-MW GP	22	0.9	2400	109	120	60000	600
140065519	LEDDownlightRc-P R200-33W-3000-MW GP	33	0.9	3360	102	160	60000	600
140065520	LEDDownlightRc-P R200-33W-4000-MW GP	33	0.9	3500	106	160	60000	600
140065521	LEDDownlightRc-P R200-33W-5700-MW GP	33	0.9	3500	106	160	60000	600
140065522	LEDDownlightRc-P R150-11W-3000-HG GP	11	0.9	1150	105	55	60000	600
140065523	LEDDownlightRc-P R150-11W-4000-HG GP	11	0.9	1200	109	55	60000	600
140065524	LEDDownlightRc-P R150-11W-5700-HG GP	11	0.9	1200	109	55	60000	600
140065525	LEDDownlightRc-P R200-15W-3000-HG GP	15	0.9	1600	107	70	60000	600
140065526	LEDDownlightRc-P R200-15W-4000-HG GP	15	0.9	1660	111	70	60000	600
140065527	LEDDownlightRc-P R200-15W-5700-HG GP	15	0.9	1660	111	70	60000	600
140065528	LEDDownlightRc-P R200-22W-3000-HG GP	22	0.9	2350	107	120	60000	600
140065529	LEDDownlightRc-P R200-22W-4000-HG GP	22	0.9	2400	109	120	60000	600
140065530	LEDDownlightRc-P R200-22W-5700-HG GP	22	0.9	2400	109	120	60000	600

Item Code	Item Description	Power (W)	Power Factor	Lumen (lm)	Efficacy (lm/W)	Input Current (mA)	Lifetime (L70B50)	MOQ (pcs)
140065531	LEDDownlightRc-P R200-33W-3000-HG GP	33	0.9	3360	102	160	60000	600
140065532	LEDDownlightRc-P R200-33W-4000-HG GP	33	0.9	3500	106	160	60000	600
140065533	LEDDownlightRc-P R200-33W-5700-HG GP	33	0.9	3500	106	160	60000	600
140065534	LEDDownlightRc-P R150-11W-3000-DA MW GP	11	0.9	1150	105	55	60000	600
140065535	LEDDownlightRc-P R150-11W-4000-DA MW GP	11	0.9	1200	109	55	60000	600
140065536	LEDDownlightRc-P R150-11W-5700-DA MW GP	11	0.9	1200	109	55	60000	600
140065537	LEDDownlightRc-P R200-15W-3000-DA MW GP	15	0.9	1600	107	70	60000	600
140065538	LEDDownlightRc-P R200-15W-4000-DA MW GP	15	0.9	1660	111	70	60000	600
140065539	LEDDownlightRc-P R200-15W-5700-DA MW GP	15	0.9	1660	111	70	60000	600
140065540	LEDDownlightRc-P R200-22W-3000-DA MW GP	22	0.9	2350	107	120	60000	600
140065541	LEDDownlightRc-P R200-22W-4000-DA MW GP	22	0.9	2400	109	120	60000	600
140065542	LEDDownlightRc-P R200-22W-5700-DA MW GP	22	0.9	2400	109	120	60000	600
140065543	LEDDownlightRc-P R200-33W-3000-DA MW GP	33	0.9	3360	102	160	60000	600
140065544	LEDDownlightRc-P R200-33W-4000-DA MW GP	33	0.9	3500	106	160	60000	600
140065545	LEDDownlightRc-P R200-33W-5700-DA MW GP	33	0.9	3500	106	160	60000	600
140065546	LEDDownlightRc-P R150-11W-3000-DA HG GP	11	0.9	1150	105	55	60000	600
140065547	LEDDownlightRc-P R150-11W-4000-DA HG GP	11	0.9	1200	109	55	60000	600
140065548	LEDDownlightRc-P R150-11W-5700-DA HG GP	11	0.9	1200	109	55	60000	600
140065549	LEDDownlightRc-P R200-15W-3000-DA HG GP	15	0.9	1600	107	70	60000	600
140065550	LEDDownlightRc-P R200-15W-4000-DA HG GP	15	0.9	1660	111	70	60000	600
140065551	LEDDownlightRc-P R200-15W-5700-DA HG GP	15	0.9	1660	111	70	60000	600
140065552	LEDDownlightRc-P R200-22W-3000-DA HG GP	22	0.9	2350	107	120	60000	600
140065553	LEDDownlightRc-P R200-22W-4000-DA HG GP	22	0.9	2400	109	120	60000	600
140065554	LEDDownlightRc-P R200-22W-5700-DA HG GP	22	0.9	2400	109	120	60000	600
140065555	LEDDownlightRc-P R200-33W-3000-DA HG GP	33	0.9	3360	102	160	60000	600
140065556	LEDDownlightRc-P R200-33W-4000-DA HG GP	33	0.9	3500	106	160	60000	600
140065557	LEDDownlightRc-P R200-33W-5700-DA HG GP	33	0.9	3500	106	160	60000	600
540001041510	LEDDownlightRc-P R150-11W-3000-MW BLE	11	0.9	1150	105	55	60000	600
540001041610	LEDDownlightRc-P R150-11W-4000-MW BLE	11	0.9	1200	109	55	60000	600
540001041710	LEDDownlightRc-P R200-15W-3000-MW BLE	15	0.9	1600	107	70	60000	600
540001041810	LEDDownlightRc-P R200-15W-4000-MW BLE	15	0.9	1660	111	70	60000	600
540001041910	LEDDownlightRc-P R200-22W-3000-MW BLE	22	0.9	2350	107	120	60000	600
540001042010	LEDDownlightRc-P R200-22W-4000-MW BLE	22	0.9	2440	111	120	60000	600
540001042110	LEDDownlightRc-P R200-33W-3000-MW BLE	33	0.9	3360	102	160	60000	600
540001042210	LEDDownlightRc-P R200-33W-4000-MW BLE	33	0.9	3500	106	160	60000	600
540001042310	LEDDownlightRc-P R150-11W-3000-HG BLE	11	0.9	1150	105	55	60000	600
540001042410	LEDDownlightRc-P R150-11W-4000-HG BLE	11	0.9	1200	109	55	60000	600
540001042510	LEDDownlightRc-P R200-15W-3000-HG BLE	15	0.9	1600	107	70	60000	600
540001042610	LEDDownlightRc-P R200-15W-4000-HG BLE	15	0.9	1660	111	70	60000	600
540001042710	LEDDownlightRc-P R200-22W-3000-HG BLE	22	0.9	2350	107	120	60000	600
540001042810	LEDDownlightRc-P R200-22W-4000-HG BLE	22	0.9	2440	111	120	60000	600
540001042910	LEDDownlightRc-P R200-33W-3000-HG BLE	33	0.9	3360	102	160	60000	600
540001043010	LEDDownlightRc-P R200-33W-4000-HG BLE	33	0.9	3500	106	160	60000	600

Technical Specifications	
CRI	80
Colour Consistency (SDCM)	≤5
Dimmable	Yes
Housing Colour	White
IP	IP20, IP44 for exposed part
IK	IK02
Driver integrated (Yes/No)	No
Glow wire test	650°C
Driver failure rate	1% at 5000h
Weight (pc/kg)	0.45/0.76/0.76/0.76 0.51/0.83/0.83/0.83

Electrical Supply	
Frequency (Hz)	50/60
Voltage (V)	220-240
AC/DC	AC



Mechanical Properties	
Housing Material	PC+Aluminum
Optical Material	PC/PMMA



Application Conditions	
Operating Temperature	-15-45°C
Application Temperature	25°C
Storage Environment	-25-50°C

## Packaging Information

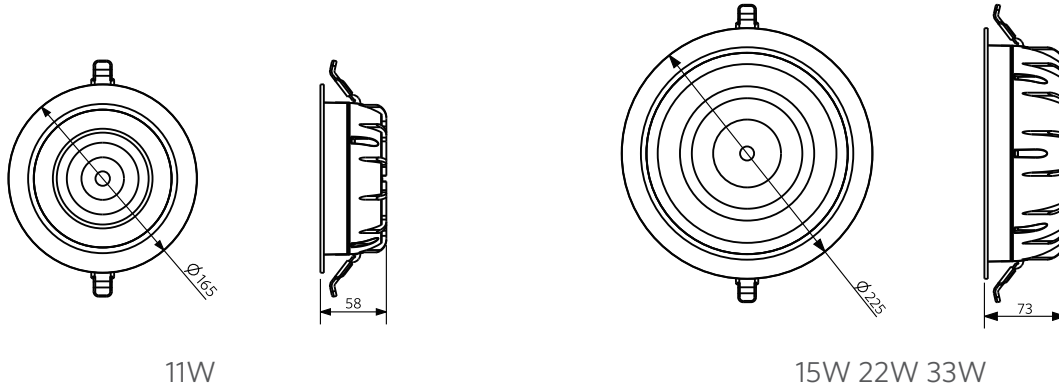
Item		Single Box(1pc/box)		Outer box		
Item Code	Item Description	Dimensions(mm) (LxWxH)	Gross Weight (kg)	Dimensions(mm) (LxWxH)	Gross Weight (kg)	Packing Qty (pcs/CTN)
140065510	LEDDownlightRc-P R150-11W-3000-MW GP	200*200*103	0.59	415*410*330	7.08	12
140065511	LEDDownlightRc-P R150-11W-4000-MW GP	200*200*103	0.59	415*410*330	7.08	12
140065512	LEDDownlightRc-P R150-11W-5700-MW GP	200*200*103	0.59	415*410*330	7.08	12
140065513	LEDDownlightRc-P R200-15W-3000-MW GP	260*260*118	1	535*530*255	8	8
140065514	LEDDownlightRc-P R200-15W-4000-MW GP	260*260*118	1	535*530*255	8	8
140065515	LEDDownlightRc-P R200-15W-5700-MW GP	260*260*118	1	535*530*255	8	8
140065516	LEDDownlightRc-P R200-22W-3000-MW GP	260*260*118	1	535*530*255	8	8
140065517	LEDDownlightRc-P R200-22W-4000-MW GP	260*260*118	1	535*530*255	8	8
140065518	LEDDownlightRc-P R200-22W-5700-MW GP	260*260*118	1	535*530*255	8	8
140065519	LEDDownlightRc-P R200-33W-3000-MW GP	260*260*118	1	535*530*255	8	8
140065520	LEDDownlightRc-P R200-33W-4000-MW GP	260*260*118	1	535*530*255	8	8
140065521	LEDDownlightRc-P R200-33W-5700-MW GP	260*260*118	1	535*530*255	8	8
140065522	LEDDownlightRc-P R150-11W-3000-HG GP	200*200*103	0.59	415*410*330	7.08	12
140065523	LEDDownlightRc-P R150-11W-4000-HG GP	200*200*103	0.59	415*410*330	7.08	12
140065524	LEDDownlightRc-P R150-11W-5700-HG GP	200*200*103	0.59	415*410*330	7.08	12
140065525	LEDDownlightRc-P R200-15W-3000-HG GP	260*260*118	1	535*530*255	8	8
140065526	LEDDownlightRc-P R200-15W-4000-HG GP	260*260*118	1	535*530*255	8	8
140065527	LEDDownlightRc-P R200-15W-5700-HG GP	260*260*118	1	535*530*255	8	8
140065528	LEDDownlightRc-P R200-22W-3000-HG GP	260*260*118	1	535*530*255	8	8
140065529	LEDDownlightRc-P R200-22W-4000-HG GP	260*260*118	1	535*530*255	8	8
140065530	LEDDownlightRc-P R200-22W-5700-HG GP	260*260*118	1	535*530*255	8	8
140065531	LEDDownlightRc-P R200-33W-3000-HG GP	260*260*118	1	535*530*255	8	8
140065532	LEDDownlightRc-P R200-33W-4000-HG GP	260*260*118	1	535*530*255	8	8
140065533	LEDDownlightRc-P R200-33W-5700-HG GP	260*260*118	1	535*530*255	8	8
140065534	LEDDownlightRc-P R150-11W-3000-DA MW GP	200*200*103	0.59	415*410*330	7.08	12
140065535	LEDDownlightRc-P R150-11W-4000-DA MW GP	200*200*103	0.59	415*410*330	7.08	12
140065536	LEDDownlightRc-P R150-11W-5700-DA MW GP	200*200*103	0.59	415*410*330	7.08	12
140065537	LEDDownlightRc-P R200-15W-3000-DA MW GP	260*260*118	1	535*530*255	8	8
140065538	LEDDownlightRc-P R200-15W-4000-DA MW GP	260*260*118	1	535*530*255	8	8
140065539	LEDDownlightRc-P R200-15W-5700-DA MW GP	260*260*118	1	535*530*255	8	8

Item		Single Box(1pc/box)		Outer box		
Item Code	Item Description	Dimensions(mm) (LxWxH)	Gross Weight (kg)	Dimensions(mm) (LxWxH)	Gross Weight (kg)	Packing Qty (pcs/CTN)
140065540	LEDDownlightRc-P R200-22W-3000-DA MW GP	260*260*118	1	535*530*255	8	8
140065541	LEDDownlightRc-P R200-22W-4000-DA MW GP	260*260*118	1	535*530*255	8	8
140065542	LEDDownlightRc-P R200-22W-5700-DA MW GP	260*260*118	1	535*530*255	8	8
140065543	LEDDownlightRc-P R200-33W-3000-DA MW GP	260*260*118	1	535*530*255	8	8
140065544	LEDDownlightRc-P R200-33W-4000-DA MW GP	260*260*118	1	535*530*255	8	8
140065545	LEDDownlightRc-P R200-33W-5700-DA MW GP	260*260*118	1	535*530*255	8	8
140065546	LEDDownlightRc-P R150-11W-3000-DA HG GP	200*200*103	0.59	415*410*330	7.08	12
140065547	LEDDownlightRc-P R150-11W-4000-DA HG GP	200*200*103	0.59	415*410*330	7.08	12
140065548	LEDDownlightRc-P R150-11W-5700-DA HG GP	200*200*103	0.59	415*410*330	7.08	12
140065549	LEDDownlightRc-P R200-15W-3000-DA HG GP	260*260*118	1	535*530*255	8	8
140065550	LEDDownlightRc-P R200-15W-4000-DA HG GP	260*260*118	1	535*530*255	8	8
140065551	LEDDownlightRc-P R200-15W-5700-DA HG GP	260*260*118	1	535*530*255	8	8
140065552	LEDDownlightRc-P R200-22W-3000-DA HG GP	260*260*118	1	535*530*255	8	8
140065553	LEDDownlightRc-P R200-22W-4000-DA HG GP	260*260*118	1	535*530*255	8	8
140065554	LEDDownlightRc-P R200-22W-5700-DA HG GP	260*260*118	1	535*530*255	8	8
140065555	LEDDownlightRc-P R200-33W-3000-DA HG GP	260*260*118	1	535*530*255	8	8
140065556	LEDDownlightRc-P R200-33W-4000-DA HG GP	260*260*118	1	535*530*255	8	8
140065557	LEDDownlightRc-P R200-33W-5700-DA HG GP	260*260*118	1	535*530*255	8	8
540001041510	LEDDownlightRc-P R150-11W-3000-MW BLE	200*200*103	0.59	415*410*330	7.08	12
540001041610	LEDDownlightRc-P R150-11W-4000-MW BLE	200*200*103	0.59	415*410*330	7.08	12
540001041710	LEDDownlightRc-P R200-15W-3000-MW BLE	260*260*118	1	535*530*255	8	8
540001041810	LEDDownlightRc-P R200-15W-4000-MW BLE	260*260*118	1	535*530*255	8	8
540001041910	LEDDownlightRc-P R200-22W-3000-MW BLE	260*260*118	1	535*530*255	8	8
540001042010	LEDDownlightRc-P R200-22W-4000-MW BLE	260*260*118	1	535*530*255	8	8
540001042110	LEDDownlightRc-P R200-33W-3000-MW BLE	260*260*118	1	535*530*255	8	8
540001042210	LEDDownlightRc-P R200-33W-4000-MW BLE	260*260*118	1	535*530*255	8	8
540001042310	LEDDownlightRc-P R150-11W-3000-HG BLE	200*200*103	0.59	415*410*330	7.08	12
540001042410	LEDDownlightRc-P R150-11W-4000-HG BLE	200*200*103	0.59	415*410*330	7.08	12
540001042510	LEDDownlightRc-P R200-15W-3000-HG BLE	260*260*118	1	535*530*255	8	8
540001042610	LEDDownlightRc-P R200-15W-4000-HG BLE	260*260*118	1	535*530*255	8	8
540001042710	LEDDownlightRc-P R200-22W-3000-HG BLE	260*260*118	1	535*530*255	8	8
540001042810	LEDDownlightRc-P R200-22W-4000-HG BLE	260*260*118	1	535*530*255	8	8
540001042910	LEDDownlightRc-P R200-33W-3000-HG BLE	260*260*118	1	535*530*255	8	8
540001043010	LEDDownlightRc-P R200-33W-4000-HG BLE	260*260*118	1	535*530*255	8	8

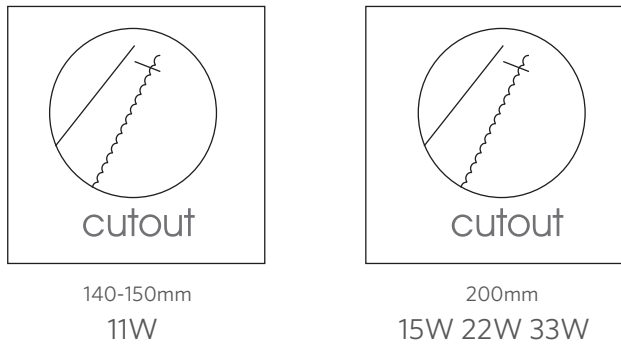
## Accessory

Pic	Item		Product Dimensions	Single Box(1pc/box)		Outer box			MOQ
	Item Code	Item Description		Dimensions(mm) (LxWxH)	Gross Weight (kg)	Dimensions(mm) (LxWxH)	Gross Weight (kg)	Packing Qty (pcs/CTN)	
	560009000210	LED Smartlight Switch-BLE	86x86x13.6mm	230*95*110	0.103	245*205*245	4.12	40	40
	560006000210	LED Smartlight-Rc Sensor-BLE	φ92x51.6mm	100*100*70	0.192	320*215*235	3.456	18	36

## Dimensional Drawing



## Cut-out Drawing



## Photometric Data

