



LED Floodlight EcoMax II

Features

- Slim compact design
- Robust housing and refined finish coating
- 50% lower energy consumption and longer lifespan(30Khrs)
- IP65, IK08, up to 95lm/W

Benefits

- Vibration-proof, Wind -proof, Rust-proof
- Excellent thermal management for stable performance
- Long life, low maintenance cost
- Adaptable installation

Application



Specification

Item Code	Item Description	Power (W)	Power Factor	Lumen (lm)	Efficacy (lm/W)	Input Current (mA)	Lifetime (L70B50)	MOQ (pcs)
140059516	LED floodlight-E II 30W-3000-GY-GP	30	0.95	2400	80	130	30000	108
140059517	LED floodlight-E II 30W-4000-GY-GP	30	0.95	2450	82	130	30000	108
140059518	LED floodlight-E II 30W-6000-GY-GP	30	0.95	2500	83	130	30000	108
140059519	LED floodlight-E II 50W-3000-GY-GP	50	0.95	4000	80	210	30000	108
140059520	LED floodlight-E II 50W-4000-GY-GP	50	0.95	4100	82	210	30000	108
140059521	LED floodlight-E II 50W-6000-GY-GP	50	0.95	4200	84	210	30000	108
140059619	LED floodlight-E II 70W-3000-GY-GP	70	0.95	5800	83	300	30000	108
140059620	LED floodlight-E II 70W-4000-GY-GP	70	0.95	5900	84	300	30000	108
140059621	LED floodlight-E II 70W-6000-GY-GP	70	0.95	6000	86	300	30000	108
140059622	LED floodlight-E II 100W-3000-GY-GP	100	0.95	9200	92	430	30000	108
140059623	LED floodlight-E II 100W-4000-GY-GP	100	0.95	9300	93	430	30000	108
140059624	LED floodlight-EII 100W-6000-GY-GP	100	0.95	9400	94	430	30000	108

Technical Specifications

CRI	≥ 80
Colour Consistency (SDCM)	6
Dimmable	No
Housing Colour	Grey
IP	IP65
IK	IK08
Driver integrated (Yes/No)	Yes
Glow wire test	650°C
Weight (kg/pc)	0.51/0.81/1.34/1.98

Electrical Supply

Frequency (Hz)	50/60
Voltage (V)	220-240
AC/DC	AC

Mechanical Properties

Housing Material	Die-cast Aluminum
Optical Material	PC

Application Conditions

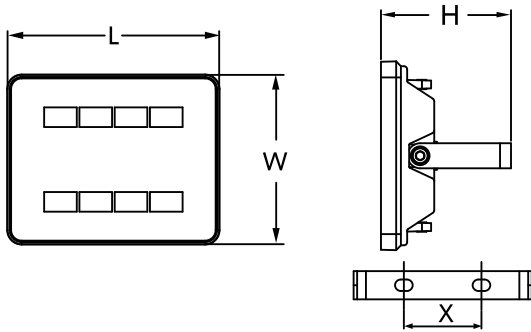
Operating Temperature	-30-50°C
Storage Environment	-30-65°C

CB

Packaging Information

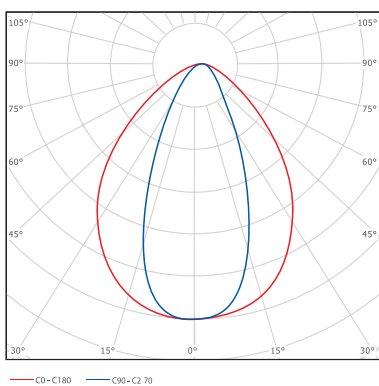
Item		Single Box(1pc/box)		Packaging Unit		
Item Code	Item Description	Dimensions(mm) (LxWxH)	Gross Weight (kg)	Dimensions(mm) (LxWxH)	Gross Weight (kg)	Packing Qty (pcs/unit)
140059516	LED floodlight-E II 30W-3000-GY-GP	155*125*82	0.63	400*330*266	11.34	18
140059517	LED floodlight-E II 30W-4000-GY-GP	155*125*82	0.63	400*330*266	11.34	18
140059518	LED floodlight-E II 30W-6000-GY-GP	155*125*82	0.63	400*330*266	11.34	18
140059519	LED floodlight-E II 50W-3000-GY-GP	205*145*82	0.97	430*310*266	11.64	12
140059520	LED floodlight-E II 50W-4000-GY-GP	205*145*82	0.97	430*310*266	11.64	12
140059521	LED floodlight-E II 50W-6000-GY-GP	205*145*82	0.97	430*310*266	11.64	12
140059619	LED floodlight-E II 70W-3000-GY-GP	275*205*98	1.68	430*290*324	10.10	6
140059620	LED floodlight-E II 70W-4000-GY-GP	275*205*98	1.68	430*290*324	10.10	6
140059621	LED floodlight-E II 70W-6000-GY-GP	275*205*98	1.68	430*290*324	10.10	6
140059622	LED floodlight-E II 100W-3000-GY-GP	305*245*98	2.39	510*320*324	14.35	6
140059623	LED floodlight-E II 100W-4000-GY-GP	305*245*98	2.39	510*320*324	14.35	6
140059624	LED floodlight-E II 100W-6000-GY-GP	305*245*98	2.39	510*320*324	14.35	6

Dimensional Drawing



Model	L (mm)	W (mm)	H (mm)	X (mm)
LED FL-E 30W	150	120	83	44
LED FL-E 50W	200	140	99	60
LED FL-E 70W	250	180	120	60
LED FL-E 100W	280	220	135	80

Photometric Data



40°+80° (30W/50W/70W/100W)