



## LED Floodlight EcoMax H

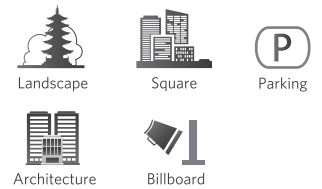
### Features

- Slim & Compact design
- Robust housing and refined finish coating
- 50% lower energy consumption and longer lifespan(50Khrs)
- IP65, IK08, up to 130lm/W

### Benefits

- Vibration-proof, Wind -proof, Rust-proof
- Excellent thermal management for stable performance
- Long life, low maintenance cost
- Adaptable installation

### Application



### Specification

Item Code	Item Description	Power (W)	Power Factor	Lumen (lm)	Efficacy (lm/W)	Input Current (mA)	Lifetime (L70B50)	MOQ (pcs)
140064725	LED Floodlight-E II 150W-3000-60D-GY-GP	150	0.95	17250	115	686	50000	100
140064731	LED Floodlight-E II 150W-3000-72+28D-GY	150	0.95	17250	115	686	50000	100
140064726	LED Floodlight-E II 150W-4000-60D-GY-GP	150	0.95	18750	125	686	50000	100
140064732	LED Floodlight-E II 150W-4000-72+28D-GY	150	0.95	18750	125	686	50000	100
140064727	LED Floodlight-E II 150W-5700-60D-GY-GP	150	0.95	18750	125	686	50000	100
140064733	LED Floodlight-E II 150W-5700-72+28D-GY	150	0.95	18750	125	686	50000	100
140064728	LED Floodlight-E II 200W-3000-60D-GY-GP	200	0.95	24000	120	915	50000	100
140064734	LED Floodlight-E II 200W-3000-72+28D-GY	200	0.95	24000	120	915	50000	100
140064729	LED Floodlight-E II 200W-4000-60D-GY-GP	200	0.95	26000	130	915	50000	100
140064735	LED Floodlight-E II 200W-4000-72+28D-GY	200	0.95	26000	130	915	50000	100
140064730	LED Floodlight-E II 200W-5700-60D-GY-GP	200	0.95	26000	130	915	50000	100
140064736	LED Floodlight-E II 200W-5700-72+28D-GY	200	0.95	26000	130	915	50000	100

#### Technical Specifications

CRI	≥ 80
Colour Consistency (SDCM)	6
Dimmable	No
Housing Colour	Grey
IP	IP65
IK	IK08
Driver integrated (Yes/No)	Yes
Glow wire test	650°C
Weight (kg/pc)	4.06/5.01

#### Electrical Supply

Frequency (Hz)	50/60
Voltage (V)	220-240
AC/DC	AC

#### Mechanical Properties

Housing Material	Die-cast Aluminium
Optical Material	PC

#### Application Conditions

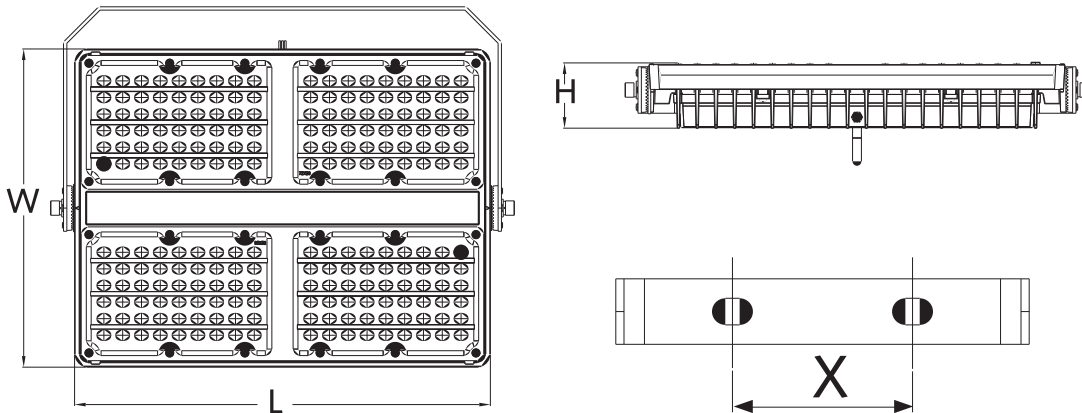
Operating Temperature	-30-50°C
Storage Environment	-30-65°C

CB

## Packaging Information

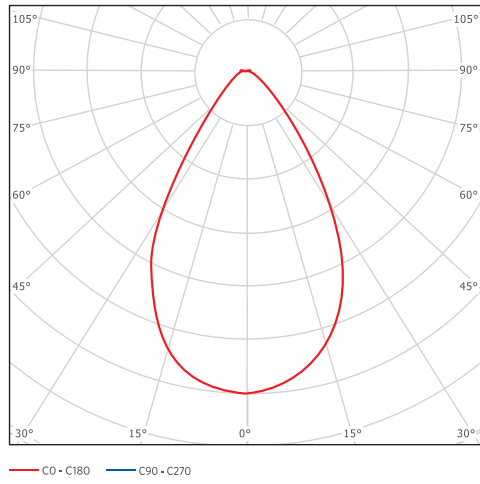
Item		Single Box(1pc/box)		Packaging Unit (48pcs/unit)		
Item Code	Item Description	Dimensions(mm) (LxWxH)	Gross Weight (kg)	Dimensions(mm) (LxWxH)	Gross Weight (kg)	Packing Qty (pcs/CTN)
140064725	LED Floodlight-E II 150W-3000-60D-GY-GP	338*65*415	4.55	432*290*362	18.19	4
140064731	LED Floodlight-E II 150W-3000-72+28D-GY	338*65*415	4.55	432*290*362	18.19	4
140064726	LED Floodlight-E II 150W-4000-60D-GY-GP	338*65*415	4.55	432*290*362	18.19	4
140064732	LED Floodlight-E II 150W-4000-72+28D-GY	338*65*415	4.55	432*290*362	18.19	4
140064727	LED Floodlight-E II 150W-5700-60D-GY-GP	338*65*415	4.55	432*290*362	18.19	4
140064733	LED Floodlight-E II 150W-5700-72+28D-GY	338*65*415	4.55	432*290*362	18.19	4
140064728	LED Floodlight-E II 200W-3000-60D-GY-GP	382*65*460	5.64	480*290*406	22.54	4
140064734	LED Floodlight-E II 200W-3000-72+28D-GY	382*65*460	5.64	480*290*406	22.54	4
140064729	LED Floodlight-E II 200W-4000-60D-GY-GP	382*65*460	5.64	480*290*406	22.54	4
140064735	LED Floodlight-E II 200W-4000-72+28D-GY	382*65*460	5.64	480*290*406	22.54	4
140064730	LED Floodlight-E II 200W-5700-60D-GY-GP	382*65*460	5.64	480*290*406	22.54	4
140064736	LED Floodlight-E II 200W-5700-72+28D-GY	382*65*460	5.64	480*290*406	22.54	4

## Dimensional Drawing

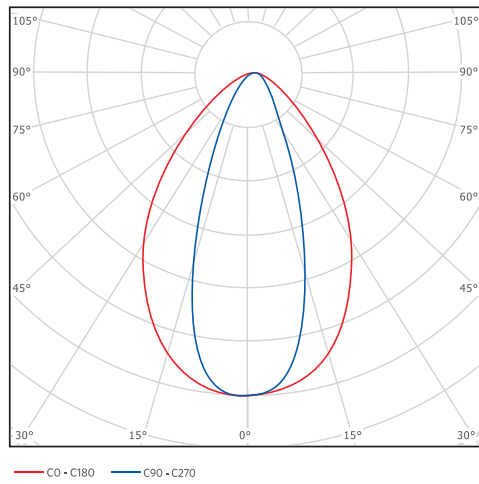


Model	L (mm)	W (mm)	H (mm)	X (mm)
LED FL-E 150W	342	257	59	180
LED FL-E 200W	376	288	59	200

# Photometric Data



60° (150W/200W)



72°+28° (150W/200W)